



Mastercam.X² *Family of Products*

Mill • Lathe • Router • Wire • Art • Solids • Design • Add-ins

The perfect fit for your work

CAD/CAM for the most important job – yours

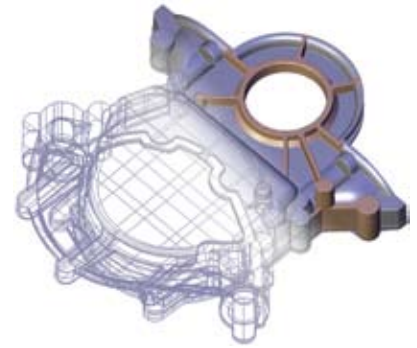
There's no job more important than the one you're working on. The new Mastercam X² suite of CAD/CAM products is designed with real-world programming needs at the forefront, making your work easier and faster than ever before. And because Mastercam can grow with your needs, you have the long-term confidence, experience, and support from the #1 CAD/CAM developer in the world.

Mastercam X² offers 2- through 5-axis milling and routing, turning, wire EDM, artistic relief cutting, 2D and 3D design, surface and solid modeling.

Why Choose Mastercam? Here are just a few reasons:

- 1. Streamlined.** Work with an interface that will get you cutting parts quickly.
- 2. Customizable.** Adjust the appearance and functionality to your preferences.
- 3. Comprehensive.** Get the highest quality, most robust toolpath generation system available.
- 4. Fast.** Do more with fewer interactions.
- 5. Accurate.** Adjust attributes to existing "live" geometry & toolpaths to change them on the fly.
- 6. Smart.** Mastercam knows the part with intelligent toolpaths and CAD change recognition.
- 7. Powerful.** New toolpaths deliver maximum quality and accuracy.
- 8. Flexible.** Import virtually any CAD source file and choose add-in utilities tailored to your needs.
- 9. Support.** Work with the most professional, knowledgeable Reseller network in the industry.
- 10. Confident.** Partner with the creators of programmers' preferred CAM software worldwide.

Modeling



Mastercam Design

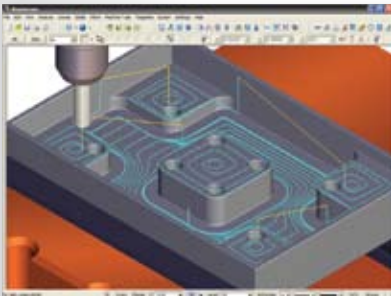
Powerful 3D CAD software also included in Mastercam Mill, Lathe, Router, and Wire.

- Easy geometry modeling and editing
- Advanced geometry creation, including NURBS curves and surfaces
- 2D and 3D associative dimensioning
- Surface extension, blending, trimming, splitting, and variable filleting

+ Mastercam Solids

Available as an add-in. See back.

Milling



Mastercam Mill Level 1

Associative CAD/CAM for 2½-axis machining and design. Builds on Mastercam Design functionality, plus:

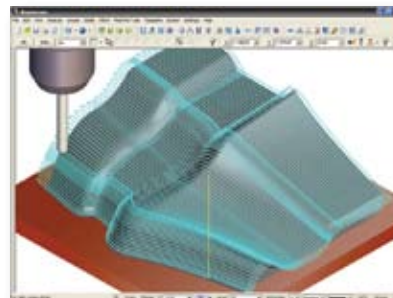
- Flexible contour, pocket, and drill
- CAD file change recognition
- Automated pocket remachining along with part and island facing
- Tombstone programming
- Automated feed rate optimization
- Solids-based toolpath verification

+ Mastercam Multiaxis

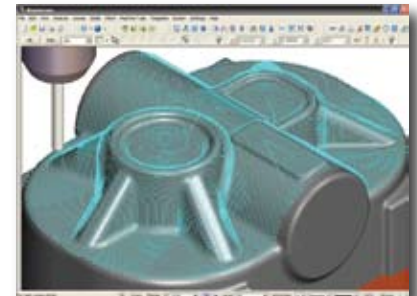
Mastercam Mill Level 2

Associative CAD/CAM for limited 3-axis machining and design. Builds on Mastercam Design & Level 1 functionality, plus:

- Single and limited multisurface finishing
- Single and limited multisurface roughing
- Toolpath projection onto a complex surface



Available as an add-in. See back.



Mastercam Mill Level 3

Associative CAD/CAM for full 3-axis machining and design. Builds on Mastercam Design, Level 1 & 2 functionality, plus:

- Flexible, easy, associative multisurface roughing and finishing
- Automated remaining stock removal
- Powerful high speed machining motion
- Machine any combination of surfaces, solids, and wireframe

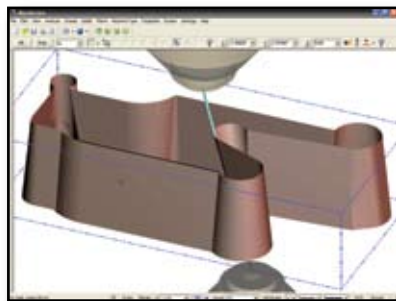
Wire EDM

Mastercam Wire

Associative CAD/CAM for wire EDM.

Builds on Mastercam Design functionality, plus:

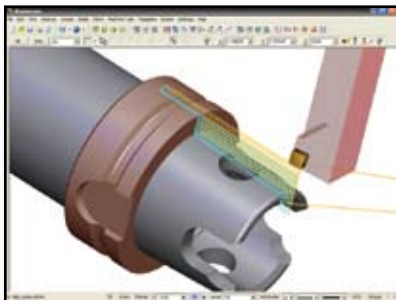
- Advanced tapering in both 2-axis and 4-axis wirepath creation
- Advanced synchronization capabilities
- Dynamic wirepath technology point editing and verification
- Automatic corner filleting and skim cut definition
- Efficient tab creation and management



Data Translators

All Mastercam products include powerful data translators for IGES, Parasolid®, SAT (ACIS solids), AutoCAD® (DXF, DWG, and Inventor™ files), SolidWorks®, Solid Edge®, STEP, EPS, CADL, STL, VDA, and ASCII. Direct translators for CATIA®, Pro-E®, and more are also available. Special no-charge Mastercam Direct add-ins put Mastercam in your SolidWorks, SolidEdge, or AutoCAD Inventor toolbars.

Turning

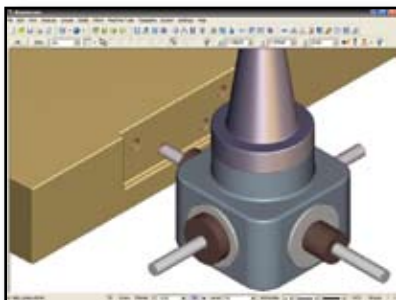


Mastercam Lathe

Associative CNC programming system for turning. Builds on Mastercam Design functionality, plus:

- Roughing, finishing, threading, grooving, boring, drilling, and cut off
- Editable tool, material, and operation libraries
- Automatic tool compensation
- Solids-based toolpath verification
- C- and Y-axis machining capabilities can be enhanced with the addition of Mastercam Mill

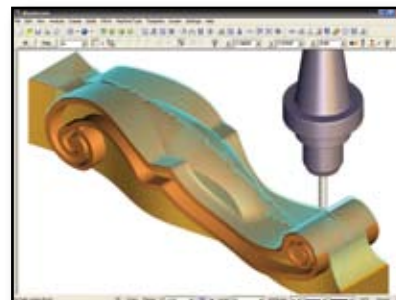
Router Programming



Mastercam Router Plus

Associative CAD/CAM for limited 3-axis router work. Builds on Mastercam Design and Router functionality, plus:

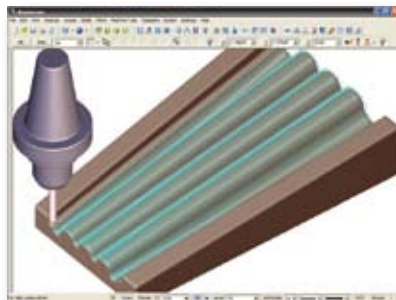
- Single-surface and limited multisurface roughing
- Single-surface and limited multisurface finishing
- Toolpath projection onto a complex surface



Mastercam Router

Associative CAD/CAM specifically designed for routers. Builds on Mastercam Design functionality, plus:

- Flexible 2D machining
- Tab creation and editing
- Part and toolpath nesting
- Block drill and aggregate head support
- CAD file change recognition
- Optional engraving and advanced nesting



Mastercam Router Pro

Associative CAD/CAM for full 2-axis and 3-axis router work. Builds on Mastercam Design and Mastercam Router functionality, plus:

- Easy multisurface roughing
- Fast multisurface finishing
- Cleanup machining to reduce final hand work

+ Mastercam Multiaxis

Available as an add-in. See back.

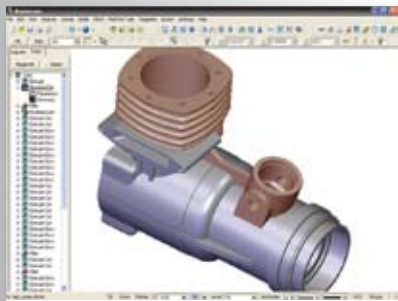
Power Add-Ins

Mastercam add-ins are custom utilities developed for specialized applications. In addition to the add-ins listed below, a wide variety of add-ins are also available from Mastercam Resellers and third-party developers. Just a few of these time-saving tools include automatic core/cavity separation, automatic parting line generation and draft angle analysis, EDM tool creation, nesting, and engraving.

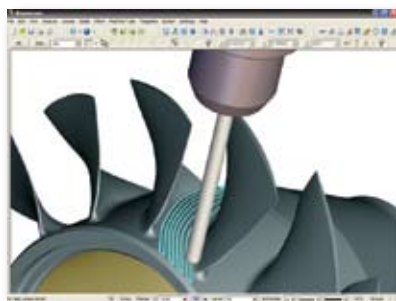
+ Mastercam Solids Add-In

Fully integrated Parasolid®-based solid modeler that adds on to Mastercam Design, Mill, Lathe, Router, and Wire.

- Powerful solid construction techniques
- Fast shelling, filleting, and chamfering
- Import and export Parasolid files
- History tree for easy operation editing
- Combine solids and surfaces in the same model
- Fully integrated, associative machining when combined with Mastercam Mill



+ Mastercam Multiaxis Add-In



Associative CAD/CAM for 4-and 5-axis machining that adds on to Mastercam Mill Level 3 or Mastercam Router Pro systems.

- 4-axis and 5-axis multisurface roughing and finishing
- 5-axis contour cutting and trimming
- Full control over all aspects of tool approach, motion, and retract
- Full multiaxis solids-based verification

+ Mastercam Art Add-In

Artistic CAD/CAM for creative organic modeling and machining. Adds on to Mastercam Mill or Mastercam Router systems.

- Create sophisticated 3D sculpted models from simple 2D artwork
- History tree for easy editing at any stage in your process
- Machine your pieces with specialized toolpaths



System Requirements

Processor: 32 bit 1.5 GHz (minimum) Intel-compatible processor

(64 bit Intel-compatible processors are supported)

Operating System: Windows® XP, Windows® XP Pro 64 bit edition

or Windows 2000 with latest service packs and updates

.NET 2.0 framework

Memory: 512 Mb RAM, 1 GB available hard disk space

Graphics Card: 64 MB OpenGL-compatible (minimum)

Monitor: 1024 x 768 resolution (minimum)

Mouse: Windows®-compatible mouse



Mastercam.

cnyc software, inc.

671 Old Post Road Tolland, CT 06084 USA

(800) 228-2877 • (860) 875-5006 • Fax (860) 872-1565

www.mastercam.com • mcinfo@mastercam.com